



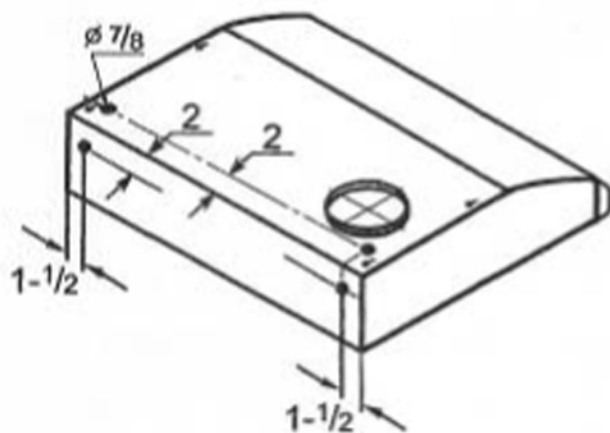
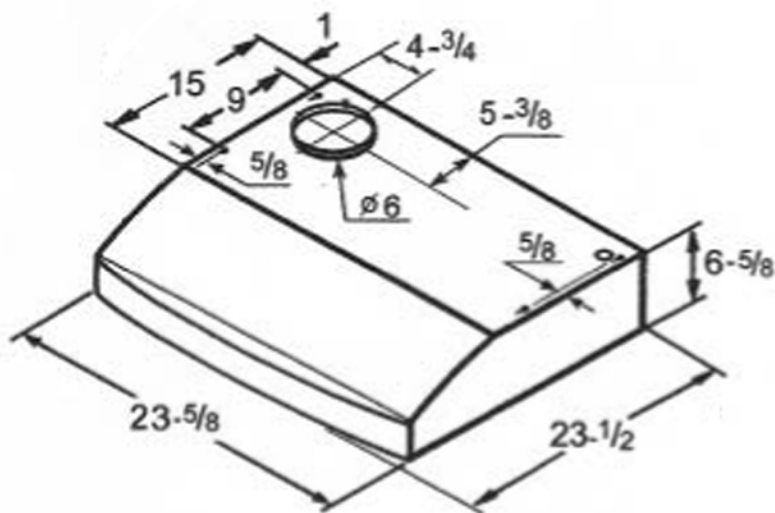
Sakura Range Hood

Model : R602-24"

Voltage : 120 V, 60 Hz

Power Consumption : 160 W

Revolution : 1500(Speed I) / 1100 RPM(Speed II)



Note: 1. Unit used in this drawing is inch.

2. All dimensions shown on this drawing is for reference only, Sakura reserve the right to make modification and/or improvement without prior notice.