



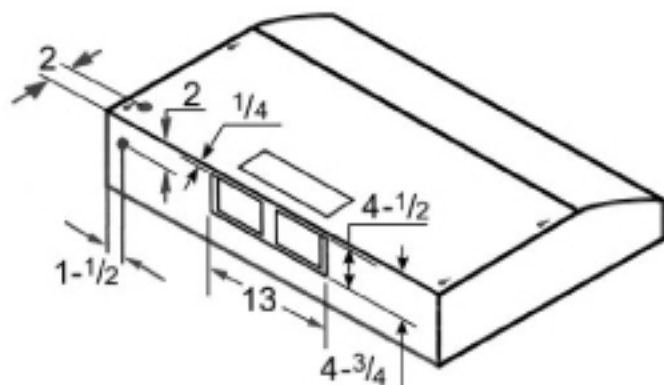
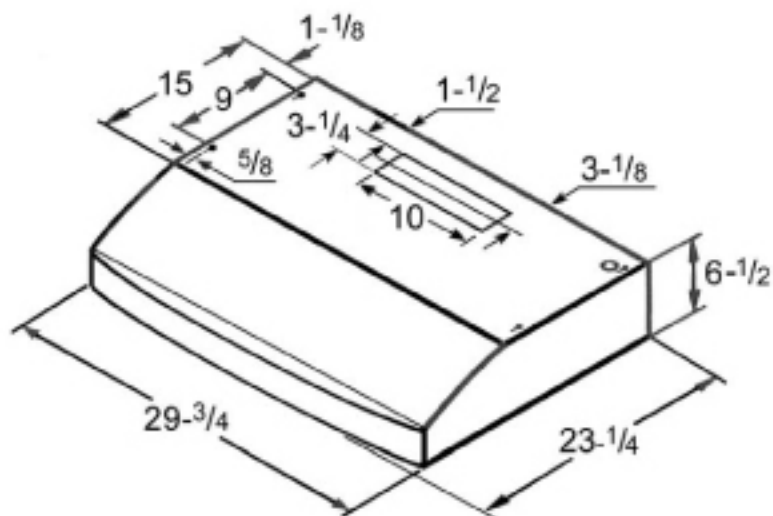
Sakura Range Hood

Model : R901(30")

Voltage : 120 V, 60 Hz

Power Consumption : 185 W

Revolution : 1500/1100 RPM



Note: 1. Unit used in this drawing is inch.

2. All dimensions shown on this drawing is for reference only, Sakura reserve the right to make modification and/or improvement without prior notice.